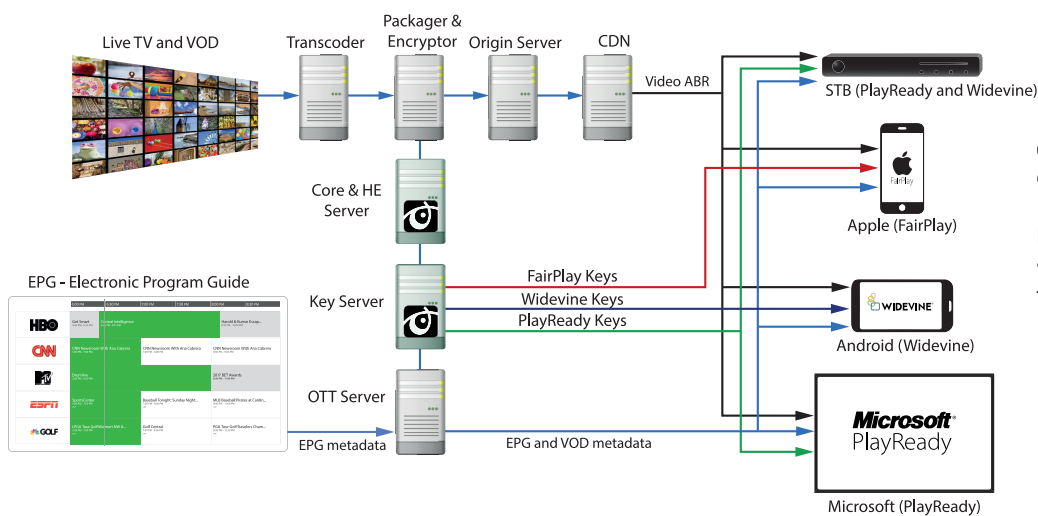


Multi-DRM Solution for any size OTT Operator

The CryptoGuard Multi-DRM Solution offers any size OTT operator to cost-effectively manage content rights towards users and devices from the CryptoGuard head end. The settings of OTT functions such as start over, catch-up, limiting the number of simultaneous devices etc. are easily managed together with the broadcasted live TV streams. The solution supports DRM formats including Google Widevine, Apple FairPlay and Microsoft PlayReady enabling a highly secure content delivery. These DRMs are natively supported by the browser, mobile device or set top box and are approved by major studios.

CryptoGuard Multi-DRM and OTT solution schematic overview



Core & HE Server: handles customers, channel packages and configuration.

Key Server: verifies the client requests and delivers the key to the user device for decryption of the content.

Compatible Players



BITMOVIN



SHAKA PLAYER



EXOPLAYER



JW PLAYER



NEX PLAYER



THEO PLAYER

Browsers



Chrome



Firefox



Internet Explorer



Microsoft Edge



Opera



Safari

Devices



Google Chromecast

androidtv 

Features

- Supports Microsoft PlayReady, Apple FairPlay and Google Widevine
- Supports Smooth streaming, DASH, MPEG4 and HLS profiles
- Supports on the fly encryption
- Most subtitle formats supported
- Supports online and offline viewing
- Multi audio support
- Supports VMF, H264 and H265/HEVC
- Supports WMA, WAV, AAC, AAC-LC, HE-AAC v 1&2 and Dolby AC3 / AC3+

CONTACT

Östermalmsgatan 101
59160 MOTALA
SWEDEN

Tel: +46 971 107 35
sales@cryptoguard.com

www.cryptoguard.com